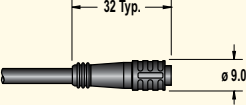
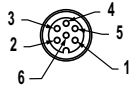
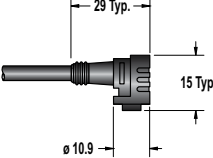


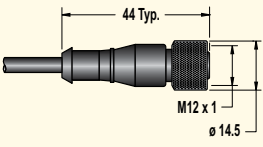
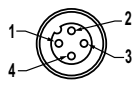
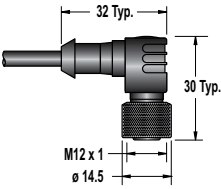
6-Pin Snap-On M8/Pico-Style Cordsets

Cable: PVC jacket, PUR (polyurethane) connector body, nylon or PUR coupling nut
Conductors: 26 AWG (shielded), gold-plated contacts
Voltage/Current Rating: 125V ac/dc, 2.0 A
Temperature: -40° to +90° C **Environmental Rating:** IP67

Style	Length	Model	Cable Diameter	Dimensions (mm)	Pinout	Used With
Straight	2.00 m	PKG6Z-2	4.70 mm		<p>Female</p>  <p>1 = Brown 2 = White 3 = Blue 4 = Black 5 = Gray 6 = Pink</p>	• D10
	9.00 m	PKG6Z-9				
Right-Angle	2.00 m	PKW6Z-2	4.70 mm			
	9.00 m	PKW6Z-9				

4-Pin Threaded M12/Euro-Style Cordsets

Cable: PVC jacket, PUR (polyurethane) connector body, nickel-plated brass coupling nut
Conductors: 22 AWG, gold-plated contacts
Voltage/Current Rating: 250V ac/dc, 4.0 A
Temperature: -40° to +105° C **Environmental Rating:** IP67/IP69K

Style	Length	Model	Cable Diameter	Dimensions (mm)	Pinout	Used With
Straight	1.83 m	MQDC-406	5.20 mm		<p>Female</p>  <p>1 = Brown 2 = White 3 = Blue 4 = Black</p>	<ul style="list-style-type: none"> • Q12 • M12 • QS18 • Q20 • OMNI-BEAM (QDH suffix) • Q45 dc sensors (Q5 suffix) • MINI-BEAM dc SM312 sensors • S18, M18, T18, Q25, S30, T30, Q40 • TM18/TM18 <i>Expert</i> • QM42/QMT42 • QL50/QL51 • SLM • R58A • T18U • T30UX • TL50/TL30F • K50 • K80 • PVA • VTB • STB with solid-state relay • EZ-LIGHT • WL50 • WLS28
	4.57 m	MQDC-415				
	9.14 m	MQDC-430				
	15.2 m	MQDC-450				
Right-Angle	1.83 m	MQDC-406RA	5.20 mm			
	4.57 m	MQDC-415RA				
	9.14 m	MQDC-430RA				
	15.2 m	MQDC-450RA				